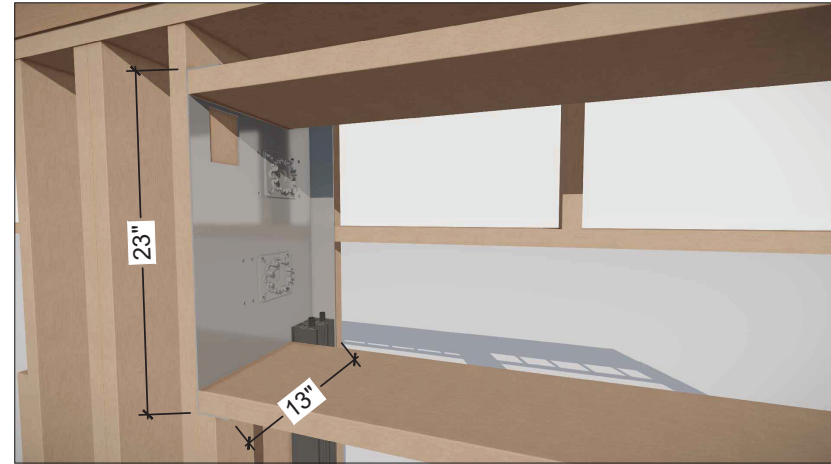
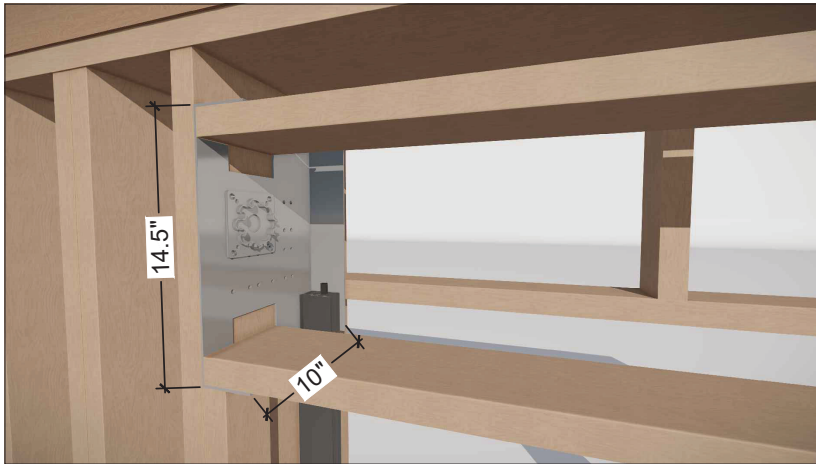


1 SMALL - 4 & 5.75" ROLLER  
SCALE: NTS



1 DUAL - 4, 5.75, & 6.5" ROLLER  
SCALE: NTS

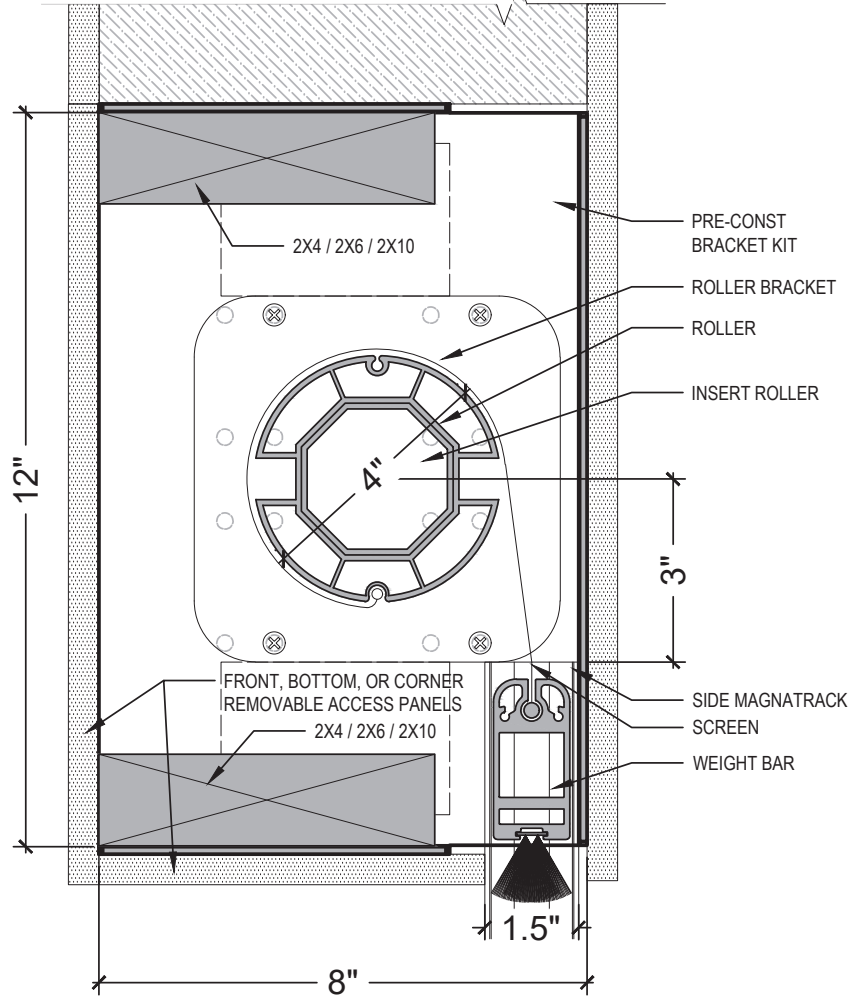


2 MEDIUM - 4, 5.75, & 6.5" ROLLER  
SCALE: NTS

Date: 08.16.23
Drawn by: AGL
<p><small>WHILE EVERY ATTEMPT HAS BEEN MADE IN THE PREPARATION OF THESE DRAWINGS TO AVOID MISTAKE, THE DESIGNER CANNOT GUARANTEE AGAINST HUMAN ERROR. PRIOR TO THE COMMENCEMENT OF ANY WORK, CONTRACTOR/OWNER MUST VERIFY ALL CONDITIONS AND DIMENSIONS AT JOB SITE. THE CONTRACTOR/OWNER SHALL REPORT ALL DISCREPANCIES BETWEEN DRAWINGS AND EXISTING CONDITIONS TO THE DESIGNER PRIOR TO COMMENCING WORK.</small></p>

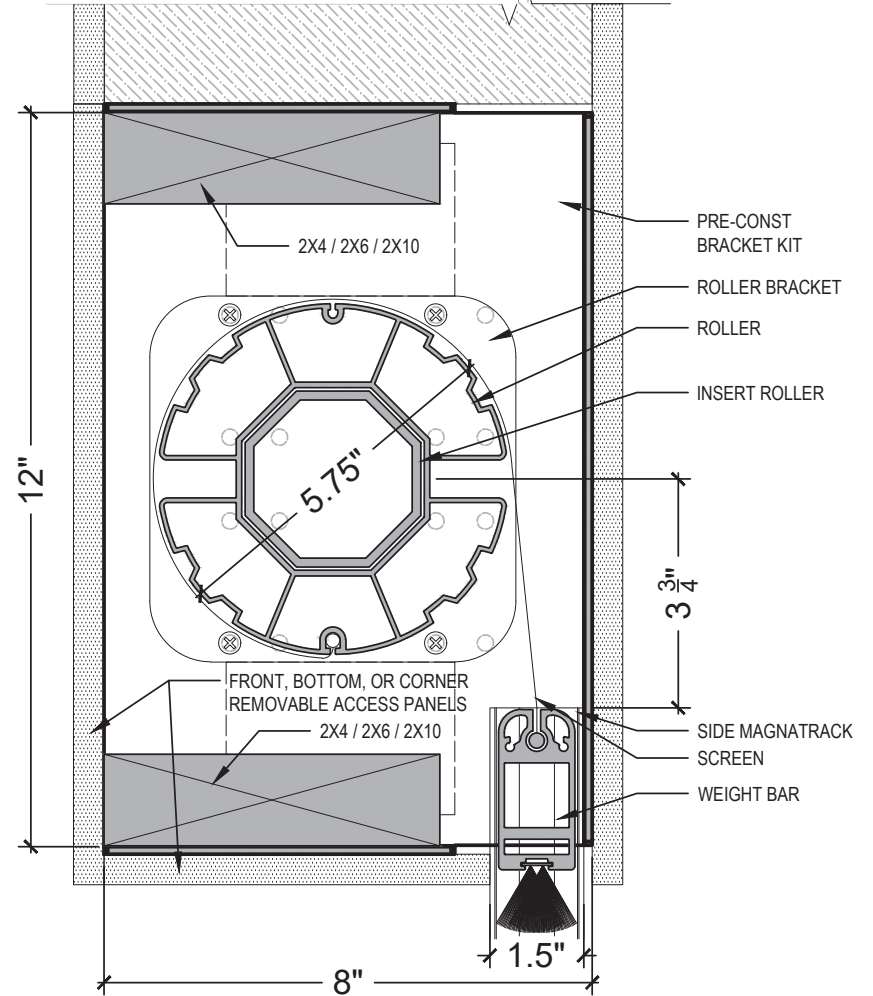
NOTE: ALL INSIDE MOUNT APPLICATIONS WILL REQUIRE U-CHANNEL TO BE INSTALLED. ADDITIONAL CHARGES APPLY.

NOTE: FOR 240"- 300" WIDE, AND/OR 132"-192" TALL  
HURRICANE: FOR 216"- 276" WIDE, AND/OR 120"-176" TALL



1 4" ROLLER RECESSED  
SCALE: N.T.S.

NOTE: FOR 240"- 300" WIDE, AND/OR 132"-192" TALL  
HURRICANE: FOR 216"- 276" WIDE, AND/OR 120"-176" TALL

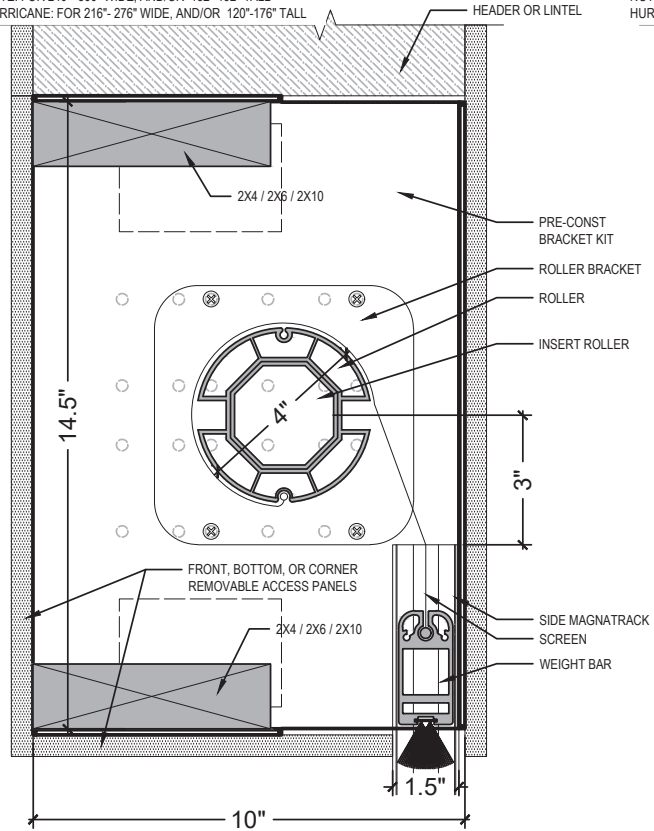


2 5.75" ROLLER RECESSED  
SCALE: N.T.S.

Date: 08.16.23
Drawn by: AGL
WHILE EVERY ATTEMPT HAS BEEN MADE IN THE PREPARATION OF THESE DRAWINGS TO AVOID MISTAKE, THE DESIGNER CANNOT GUARANTEE AGAINST HUMAN ERROR. PRIOR TO THE COMMENCEMENT OF ANY WORK, CONTRACTOR/OWNER MUST VERIFY ALL CONDITIONS AND DIMENSIONS AT JOB SITE. THE CONTRACTOR/OWNER SHALL REPORT ALL DISCREPANCIES BETWEEN DRAWINGS AND EXISTING CONDITIONS TO THE DESIGNER PRIOR TO COMMENCING WORK.

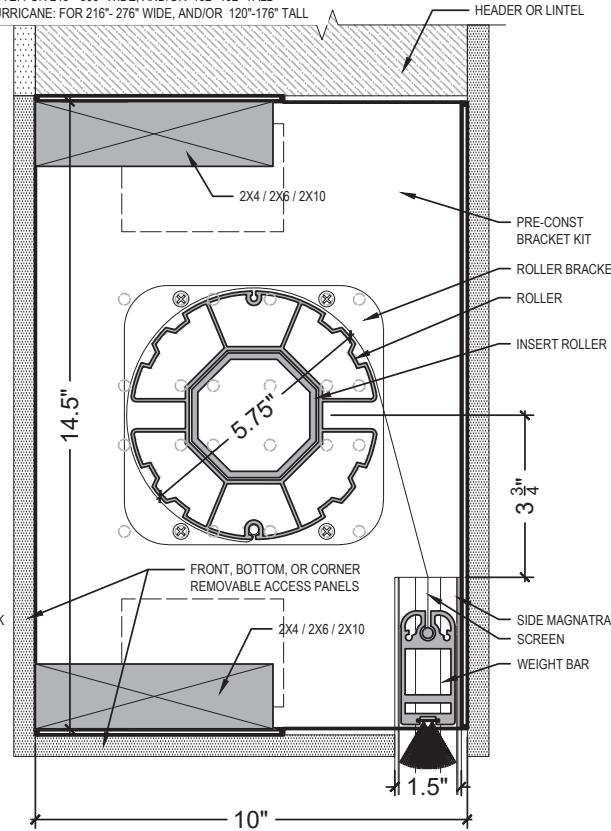
NOTE: ALL INSIDE MOUNT APPLICATIONS WILL REQUIRE U-CHANNEL TO BE INSTALLED. ADDITIONAL CHARGES APPLY.

NOTE: FOR 240"-300" WIDE, AND/OR 132"-192" TALL  
HURRICANE: FOR 216"-276" WIDE, AND/OR 120"-176" TALL



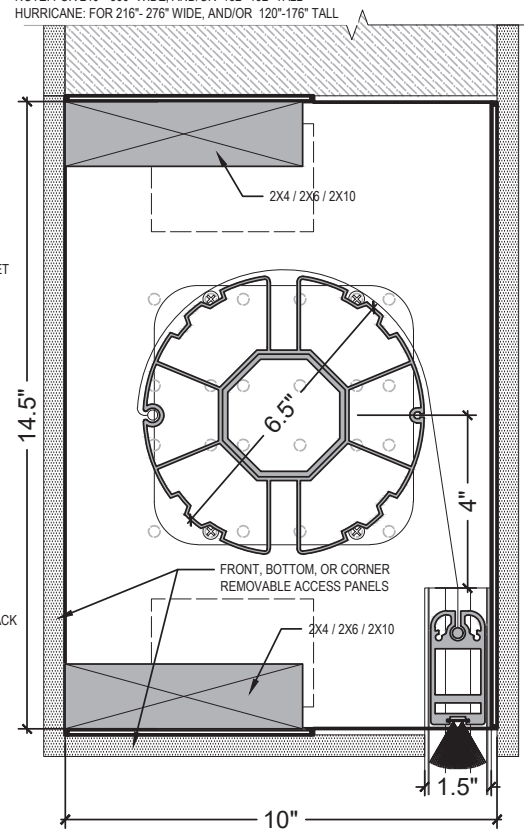
1 4" ROLLER RECESSED  
SCALE: 3" = 1'-0"

NOTE: FOR 240"-300" WIDE, AND/OR 132"-192" TALL  
HURRICANE: FOR 216"-276" WIDE, AND/OR 120"-176" TALL



2 5.75" ROLLER RECESSED  
SCALE: 3" = 1'-0"

NOTE: FOR 240"-300" WIDE, AND/OR 132"-192" TALL  
HURRICANE: FOR 216"-276" WIDE, AND/OR 120"-176" TALL



3 6.5" ROLLER RECESSED  
SCALE: 3" = 1'-0"

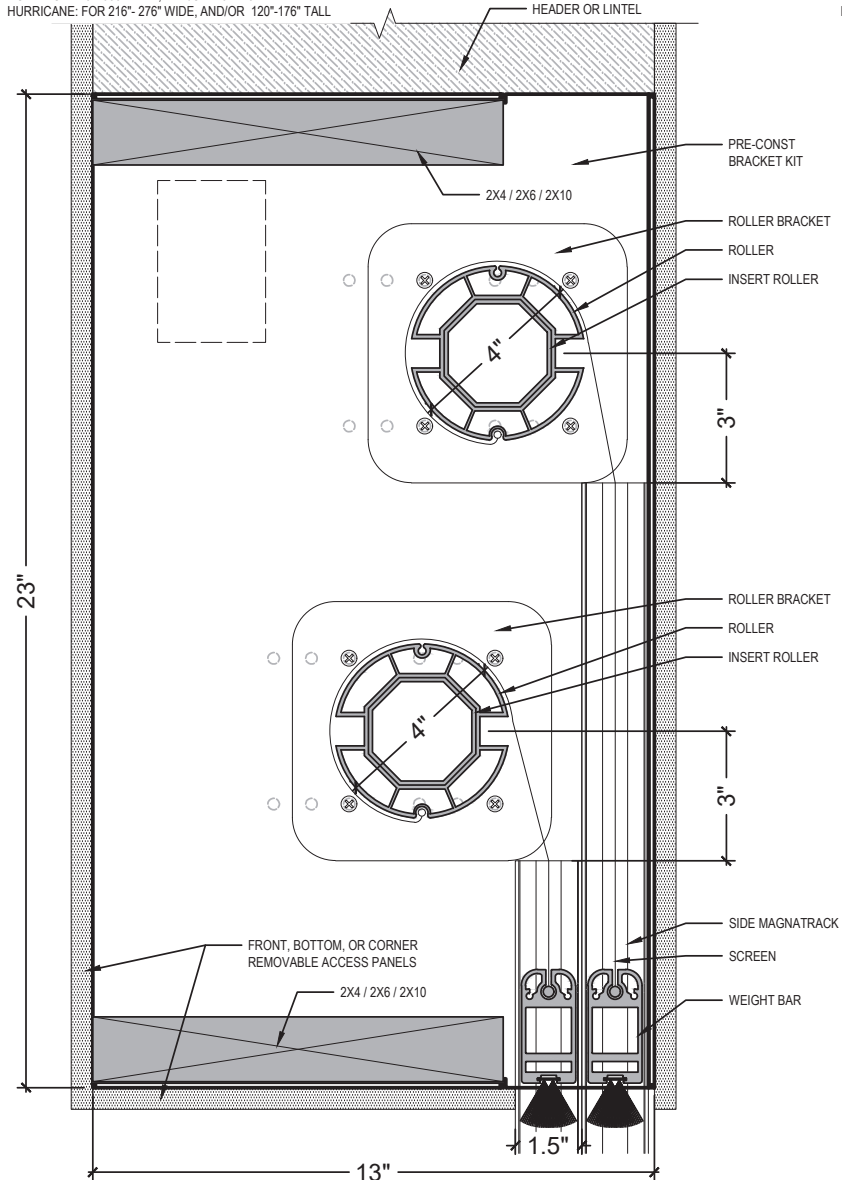
Date: 08.16.23

Drawn by: AGL

WHILE EVERY ATTEMPT HAS BEEN MADE IN THE PREPARATION OF THESE DRAWINGS TO AVOID MISTAKE, THE DESIGNER CANNOT GUARANTEE AGAINST HUMAN ERROR. PRIOR TO THE COMMENCEMENT OF ANY WORK, CONTRACTOR/OWNER MUST VERIFY ALL CONDITIONS AND DIMENSIONS AT JOB SITE. THE CONTRACTOR/OWNER SHALL REPORT ALL DISCREPANCIES BETWEEN DRAWINGS AND EXISTING CONDITIONS TO THE DESIGNER PRIOR TO COMMENCING WORK.

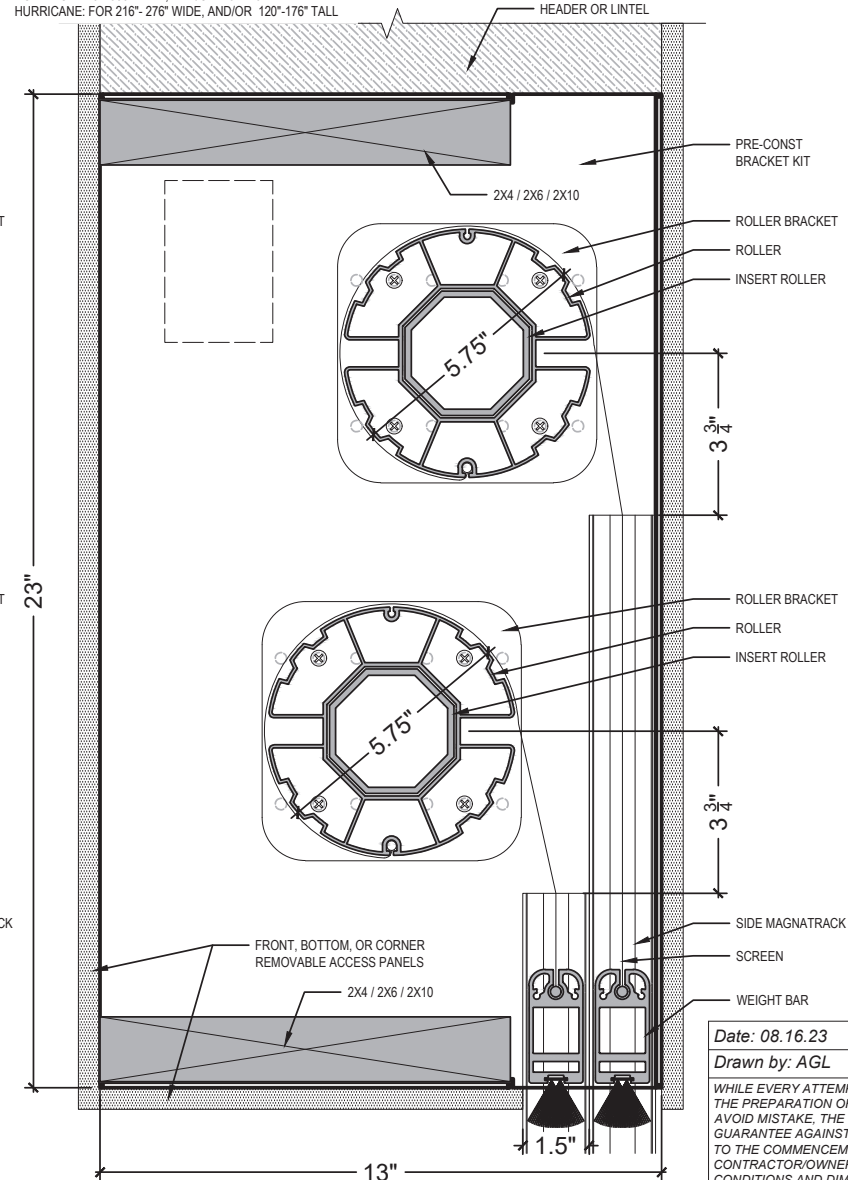
NOTE: ALL INSIDE MOUNT APPLICATIONS WILL REQUIRE U-CHANNEL TO BE INSTALLED. ADDITIONAL CHARGES APPLY.

NOTE: FOR 240" - 300" WIDE, AND/OR 132" - 192" TALL  
HURRICANE: FOR 216" - 276" WIDE, AND/OR 120" - 176" TALL



**1** 4" ROLLER DUAL RECESSED  
SCALE: 3" = 1'-0"

NOTE: FOR 240" - 300" WIDE, AND/OR 132" - 192" TALL  
HURRICANE: FOR 216" - 276" WIDE, AND/OR 120" - 176" TALL

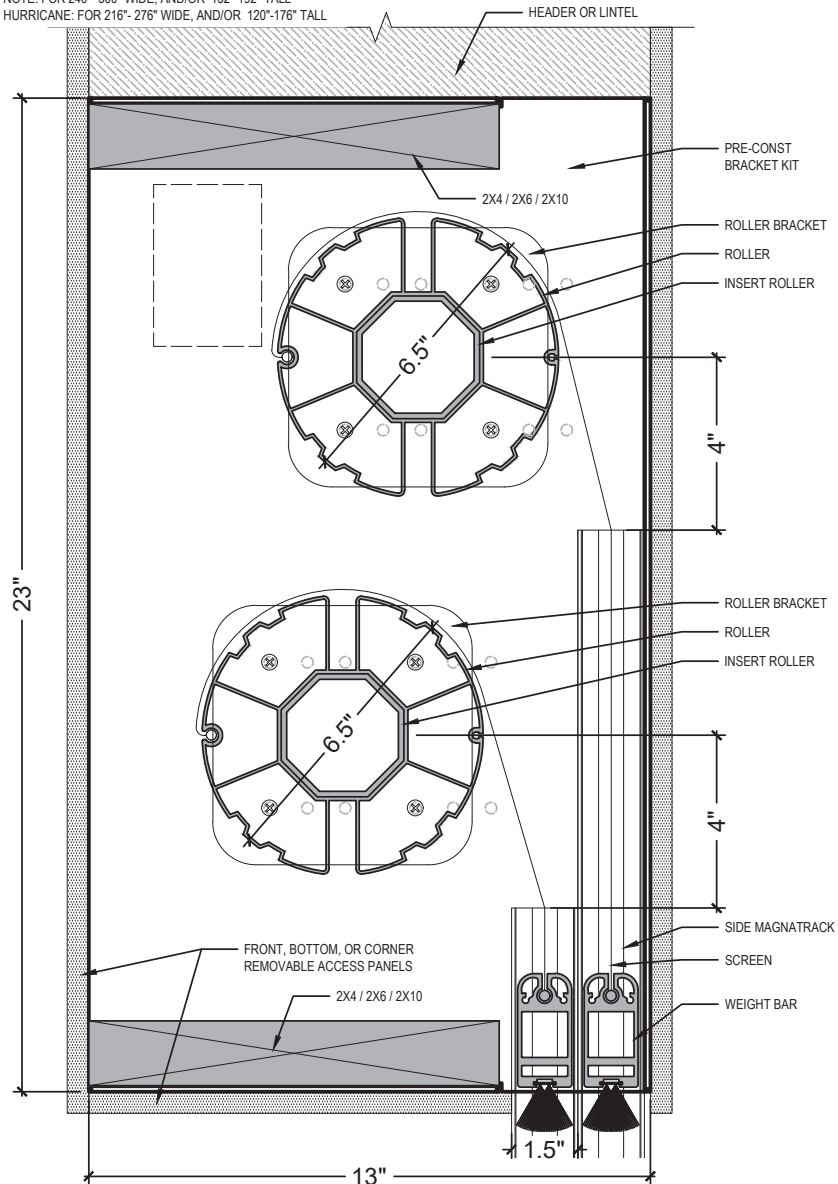


**2** 5.75" ROLLER DUAL RECESSED  
SCALE: 3" = 1'-0"

NOTE: ALL INSIDE MOUNT APPLICATIONS WILL REQUIRE U-CHANNEL TO BE INSTALLED. ADDITIONAL CHARGES APPLY.

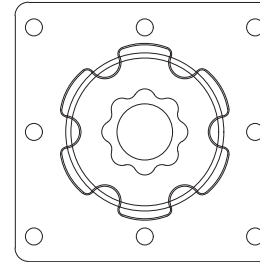
Date: 08.16.23
Drawn by: AGL
WHILE EVERY ATTEMPT HAS BEEN MADE IN THE PREPARATION OF THESE DRAWINGS TO AVOID MISTAKE, THE DESIGNER CANNOT GUARANTEE AGAINST HUMAN ERROR. PRIOR TO THE COMMENCEMENT OF ANY WORK, CONTRACTOR/OWNER MUST VERIFY ALL CONDITIONS AND DIMENSIONS AT JOB SITE. THE CONTRACTOR/OWNER SHALL REPORT ALL DISCREPANCIES BETWEEN DRAWINGS AND EXISTING CONDITIONS TO THE DESIGNER PRIOR TO COMMENCING WORK.

NOTE: FOR 240" - 300" WIDE, AND/OR 132" - 192" TALL  
HURRICANE: FOR 216" - 276" WIDE, AND/OR 120" - 176" TALL

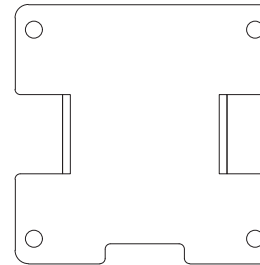


1 6.5" ROLLER DUAL RECESSED  
SCALE: 3" = 1'-0"

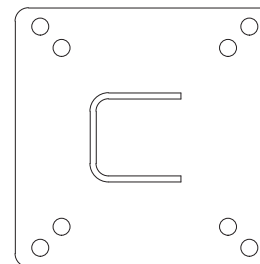
### MOTOR & IDLER BRACKETS (SOLD SEPARATELY)



GAPOSA



SIMU  
AVAILABLE FOR TYPE 5 & 6 MOTORS



IDLER

Date: 08.16.23

Drawn by: AGL

WHILE EVERY ATTEMPT HAS BEEN MADE IN THE PREPARATION OF THESE DRAWINGS TO AVOID MISTAKE, THE DESIGNER CANNOT GUARANTEE AGAINST HUMAN ERROR. PRIOR TO THE COMMENCEMENT OF ANY WORK, CONTRACTOR/OWNER MUST VERIFY ALL CONDITIONS AND DIMENSIONS AT JOB SITE. THE CONTRACTOR/OWNER SHALL REPORT ALL DISCREPANCIES BETWEEN DRAWINGS AND EXISTING CONDITIONS TO THE DESIGNER PRIOR TO COMMENCING WORK.

NOTE: ALL INSIDE MOUNT APPLICATIONS WILL REQUIRE U-CHANNEL TO BE INSTALLED. ADDITIONAL CHARGES APPLY.