



Pre-Construction Bracket

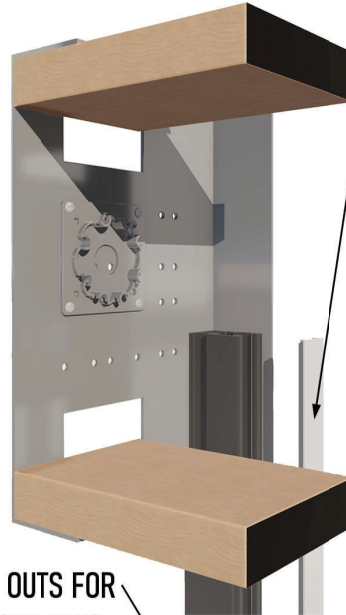
MAGNATRACK

CANADIAN PATENT 9719292

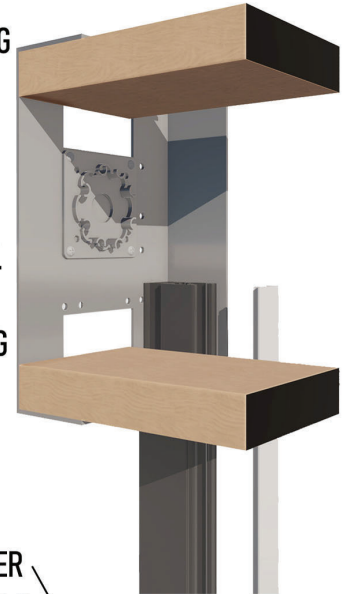
DUAL
4", 5.75", & 6.5" ROLLER



MEDIUM - SINGLE
4", 5.75", & 6.5" ROLLER



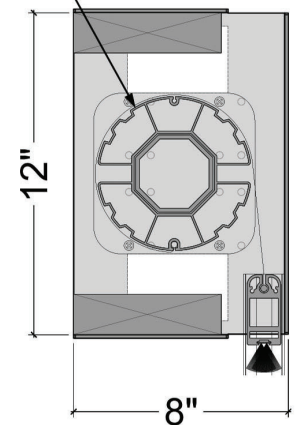
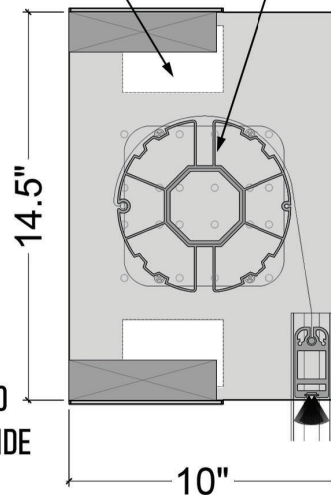
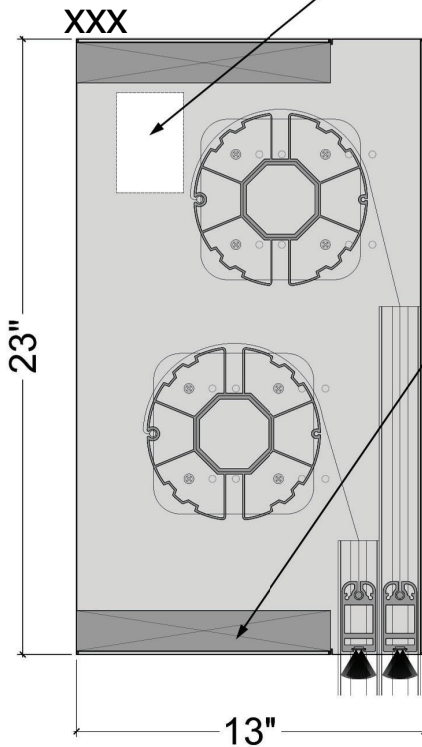
SMALL - SINGLE
4" & 5.75" ROLLER



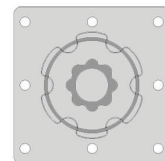
*OPTIONAL
TRACK HOUSING
COVER PLATE
TO KEEP DIRT,
STUCCO, ETC.
OUT OF TRACK
DURING CONST.
(SOLD IN SETS
OF 12 / 6" LONG
PIECES)

PUNCH OUTS FOR
RECESSED ELEC
BOXES IF REQ'D

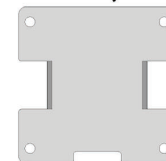
MOTOR & IDLER
BRACKETS SOLD
SEPARATELY



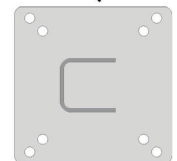
MOTOR & IDLER BRACKETS (SOLD SEPARATELY)



GAPOSA



SIMU



IDLER

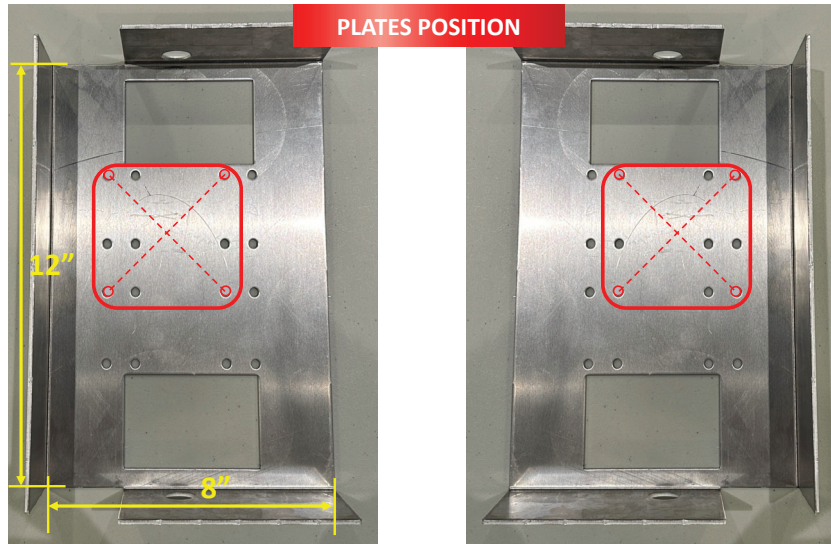
NOTE: ALL INSIDE MOUNT APPLICATIONS WILL REQUIRE U-CHANNEL TO BE INSTALLED. ADDITIONAL CHARGES APPLY.



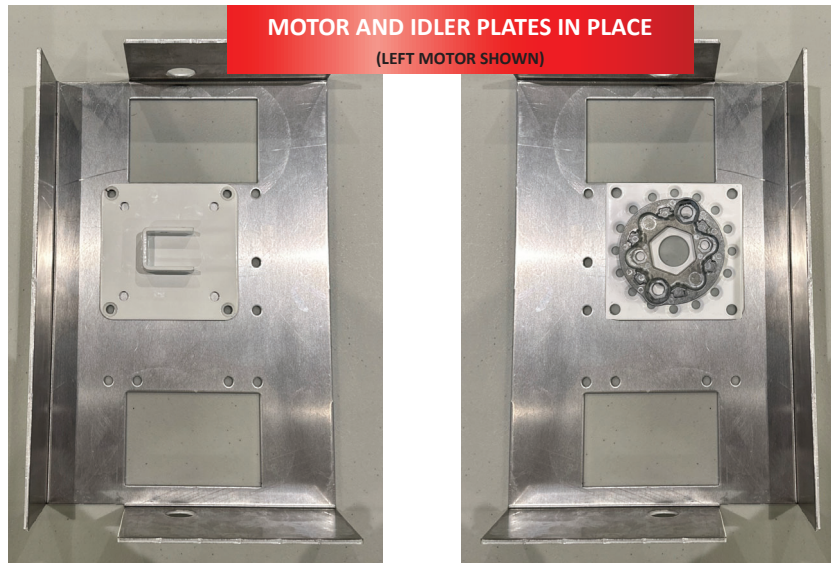
PRE-CONSTRUCTION BRACKET KIT

SMALL - 4" ROLLER

REFER TO GEN4 CAD DRAWINGS FOR MORE DETAILED INFORMATION

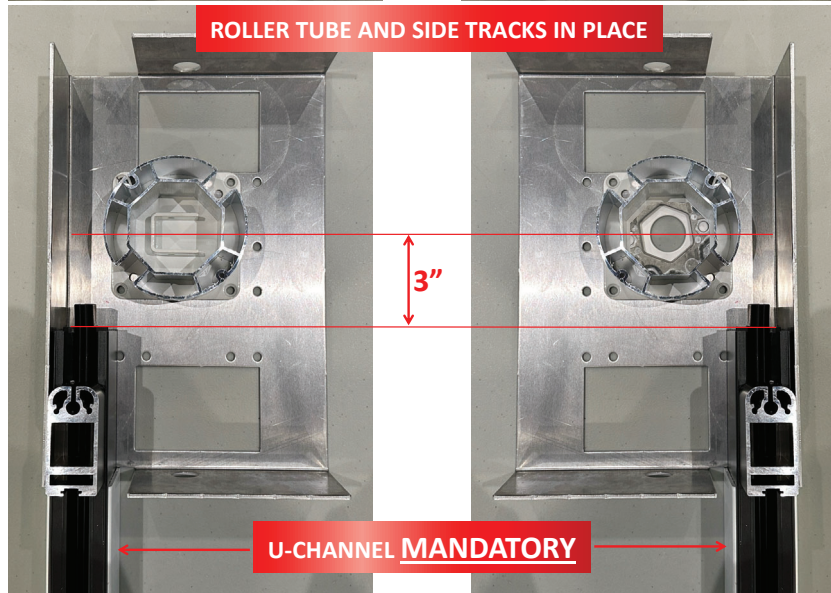


PLATES POSITION



MOTOR AND IDLER PLATES IN PLACE

(LEFT MOTOR SHOWN)



ROLLER TUBE AND SIDE TRACKS IN PLACE

3"

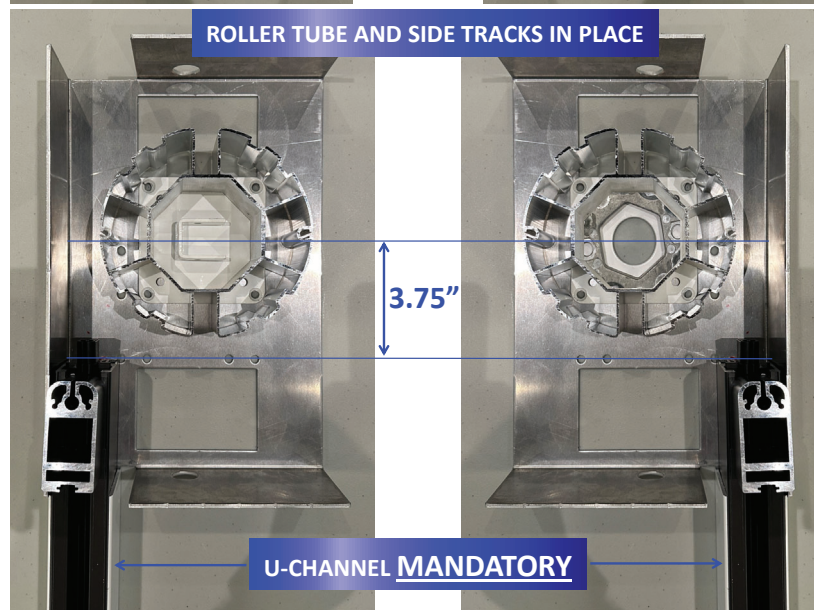
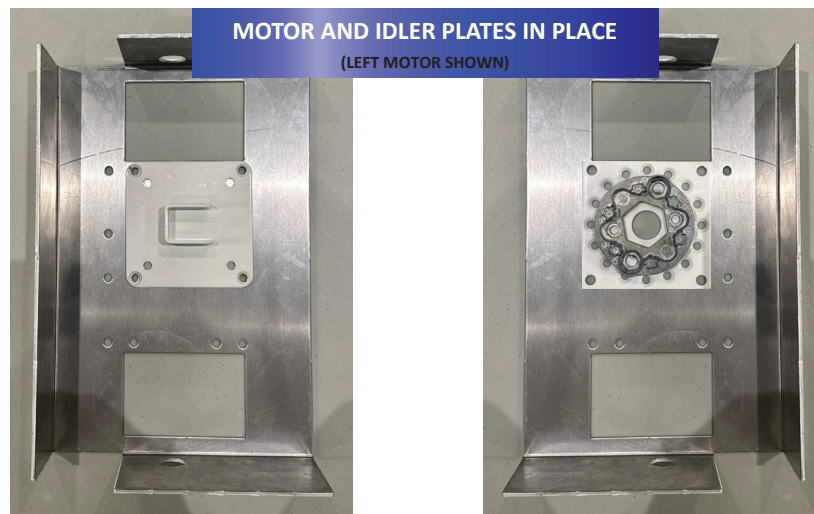
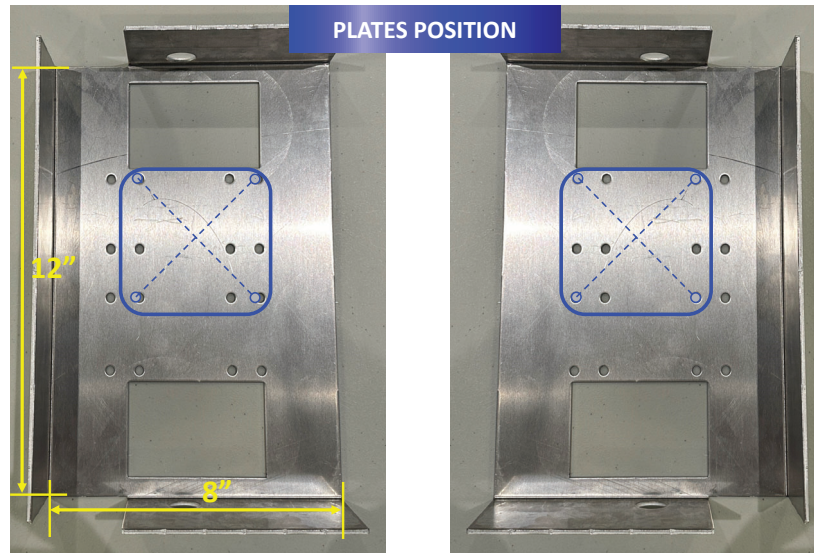
U-CHANNEL MANDATORY



PRE-CONSTRUCTION BRACKET KIT

SMALL - 5.75" ROLLER

REFER TO GEN4 CAD
DRAWINGS FOR MORE
DETAILED INFORMATION

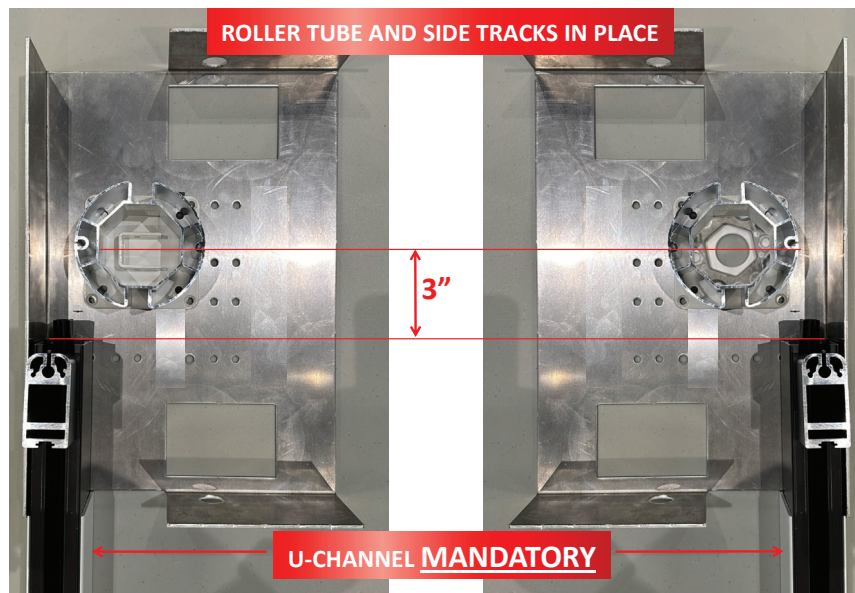
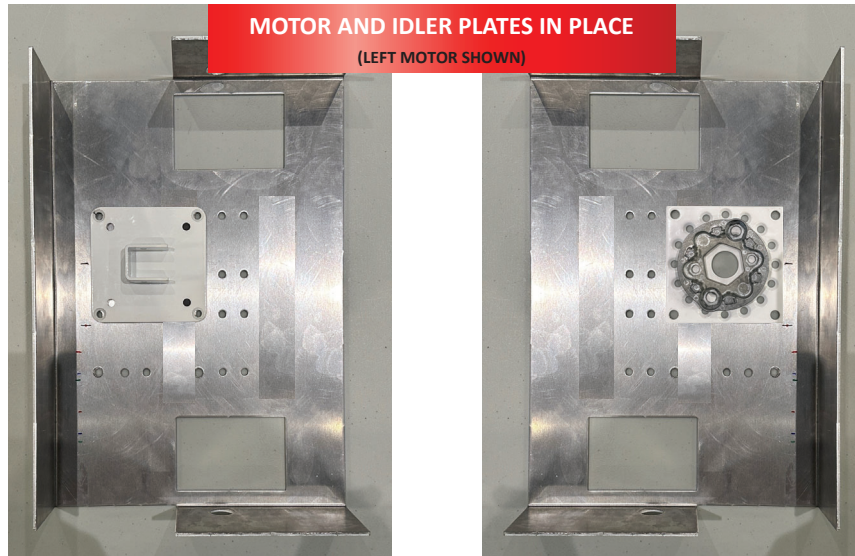
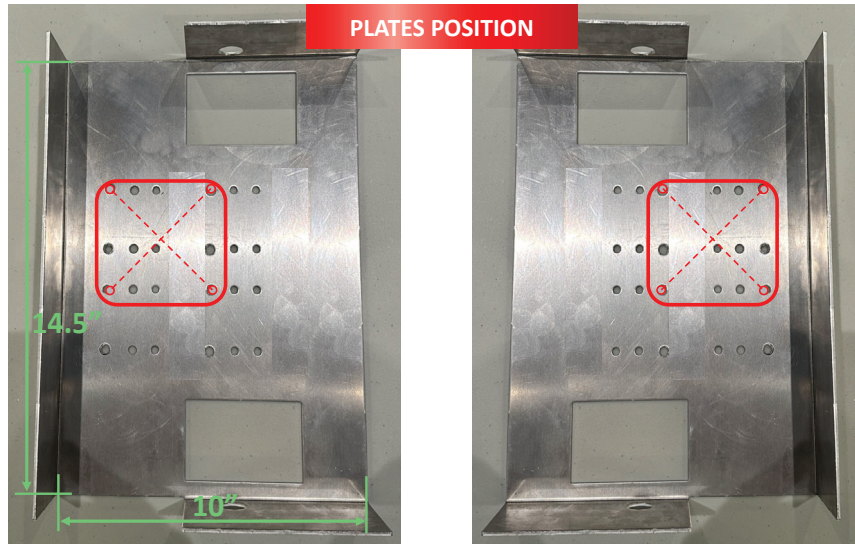




PRE-CONSTRUCTION BRACKET KIT

MEDIUM - 4" ROLLER

REFER TO GEN4 CAD DRAWINGS FOR MORE DETAILED INFORMATION



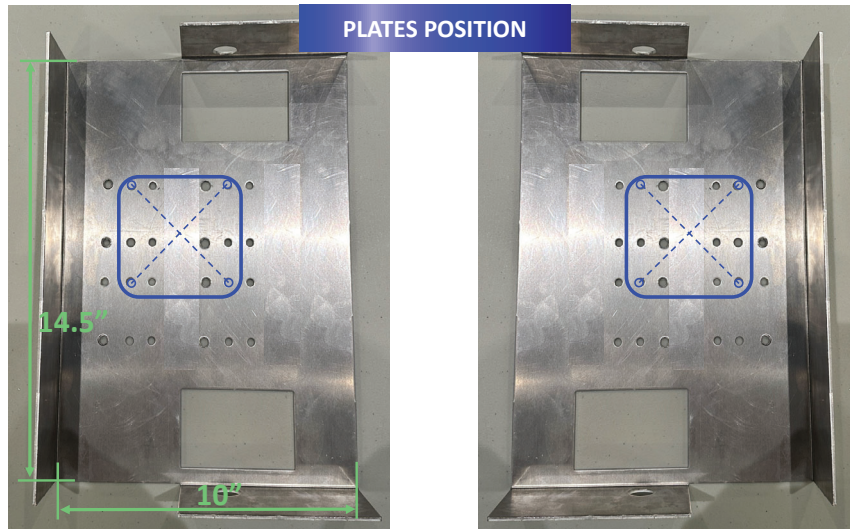


PRE-CONSTRUCTION BRACKET KIT

MEDIUM - 5.75" ROLLER

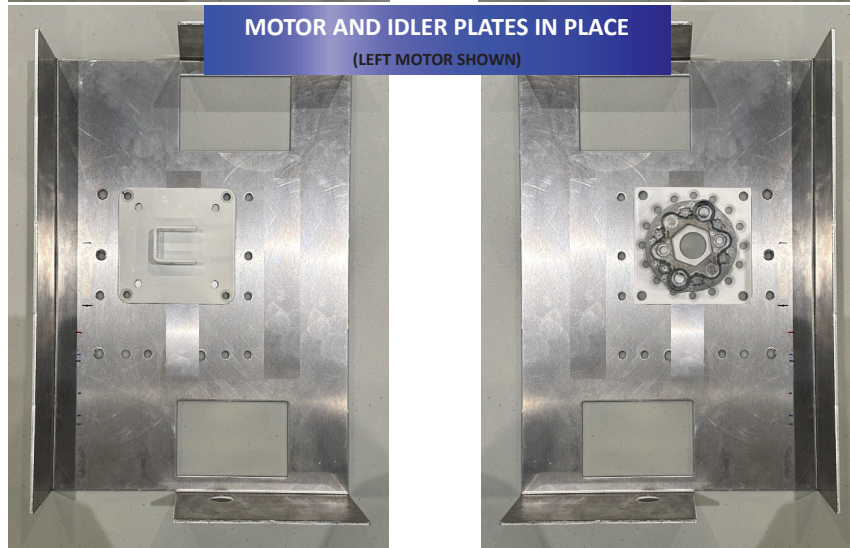
REFER TO GEN4 CAD
DRAWINGS FOR MORE
DETAILED INFORMATION

PLATES POSITION

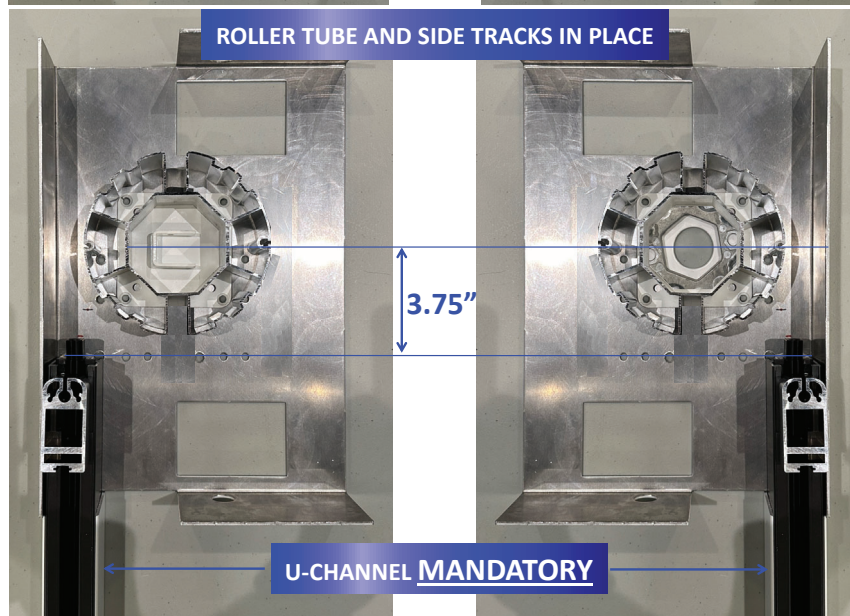


MOTOR AND IDLER PLATES IN PLACE

(LEFT MOTOR SHOWN)



ROLLER TUBE AND SIDE TRACKS IN PLACE

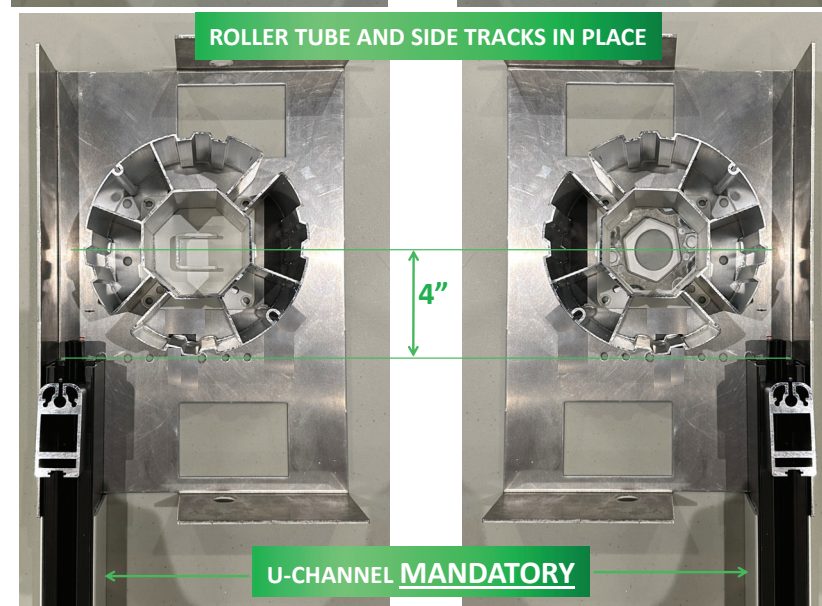
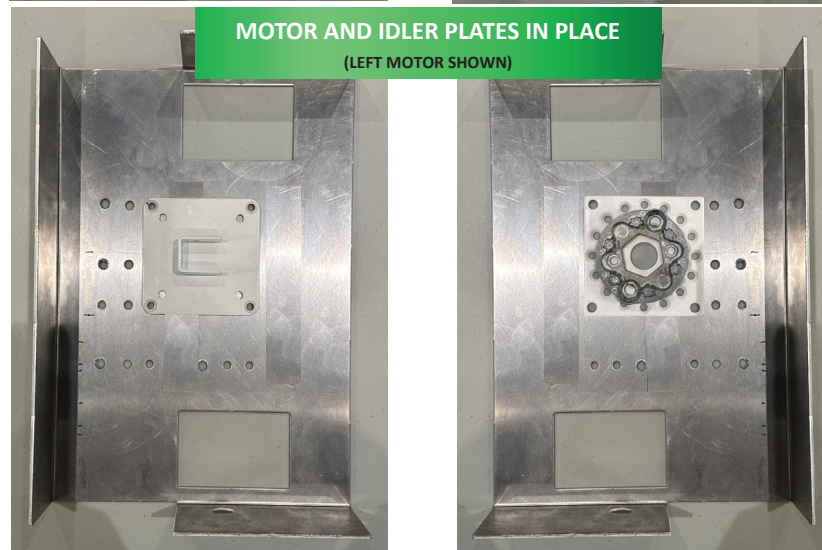
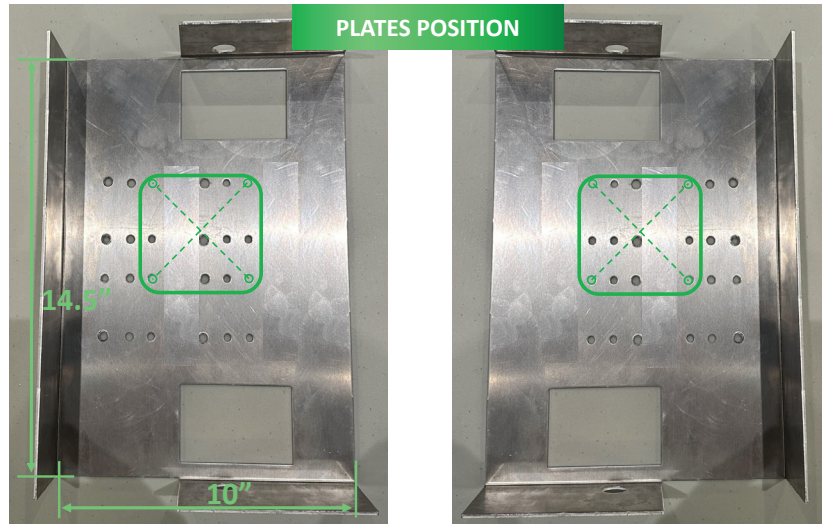




PRE-CONSTRUCTION BRACKET KIT

MEDIUM - 6.5" ROLLER

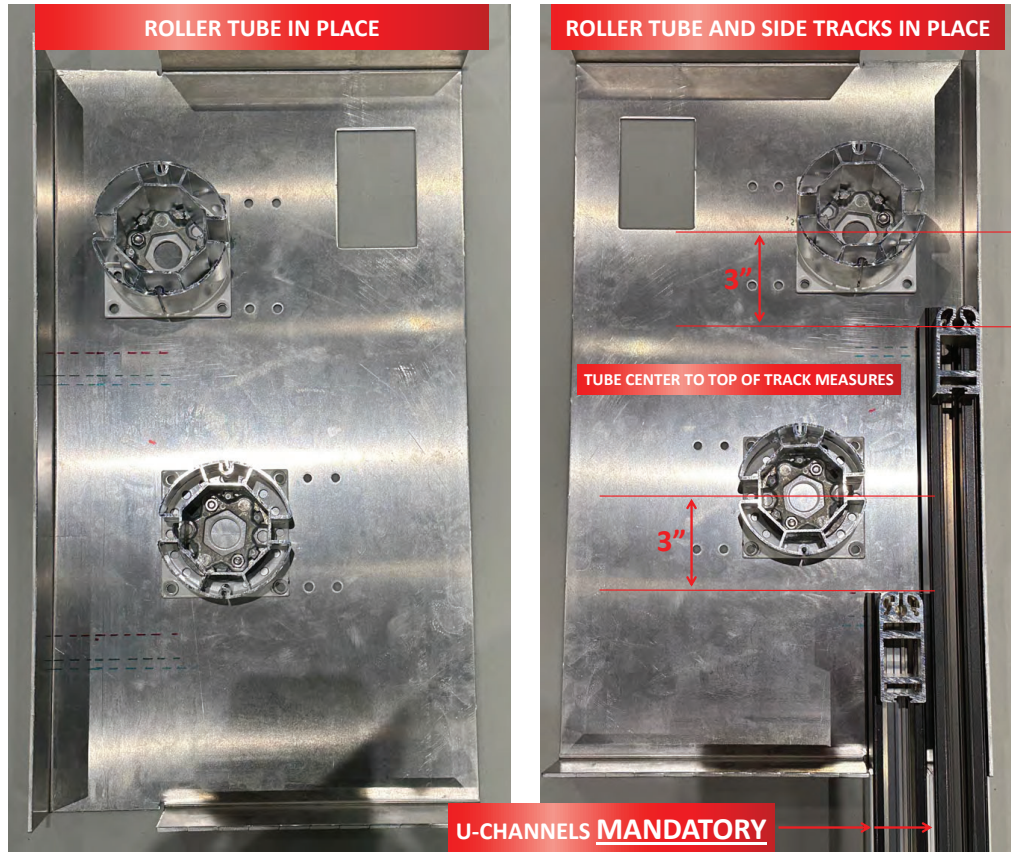
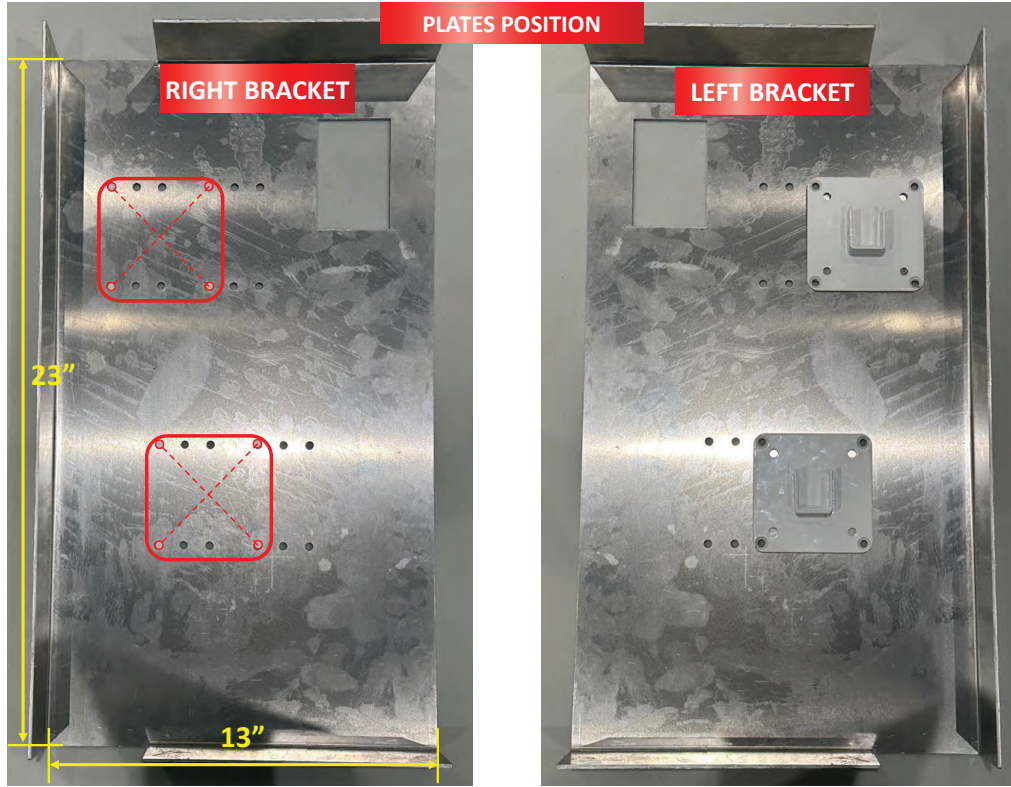
REFER TO GEN4 CAD
DRAWINGS FOR MORE
DETAILED INFORMATION





PRE-CONSTRUCTION BRACKET KIT
DOUBLE ROLLER - 4" TUBE

REFER TO GEN4 CAD
DRAWINGS FOR MORE
DETAILED INFORMATION

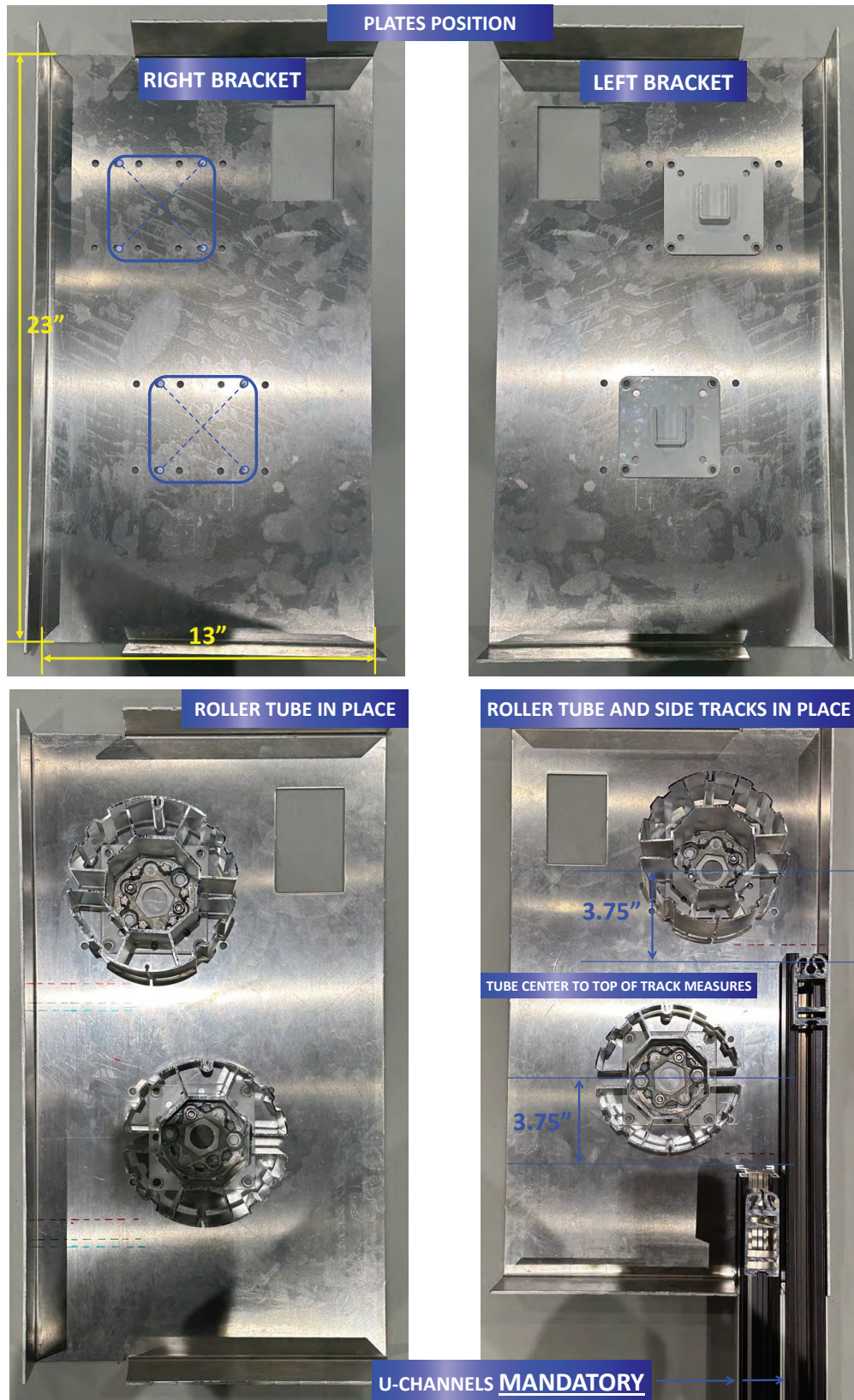




PRE-CONSTRUCTION BRACKET KIT

DOUBLE ROLLER - 5.75" TUBE

REFER TO GEN4 CAD DRAWINGS FOR MORE DETAILED INFORMATION





PRE-CONSTRUCTION BRACKET KIT

DOUBLE ROLLER - 6.5" TUBE

REFER TO GEN4 CAD DRAWINGS FOR MORE DETAILED INFORMATION

